

LOWERING AND LIFTING SYSTEM FOR VIDEO CAMERA SUPERVISION

The lowering and lifting system for the video watching contains a masthead specially designed to guarantee an optimal stability of the cameras, while allowing their maintenance on the ground. It can be settled on steel or strengthened masts in concrete, mainly able to absorb vibrations due to road traffic or to the wind effect and therefore guarantee an excellent quality of image.

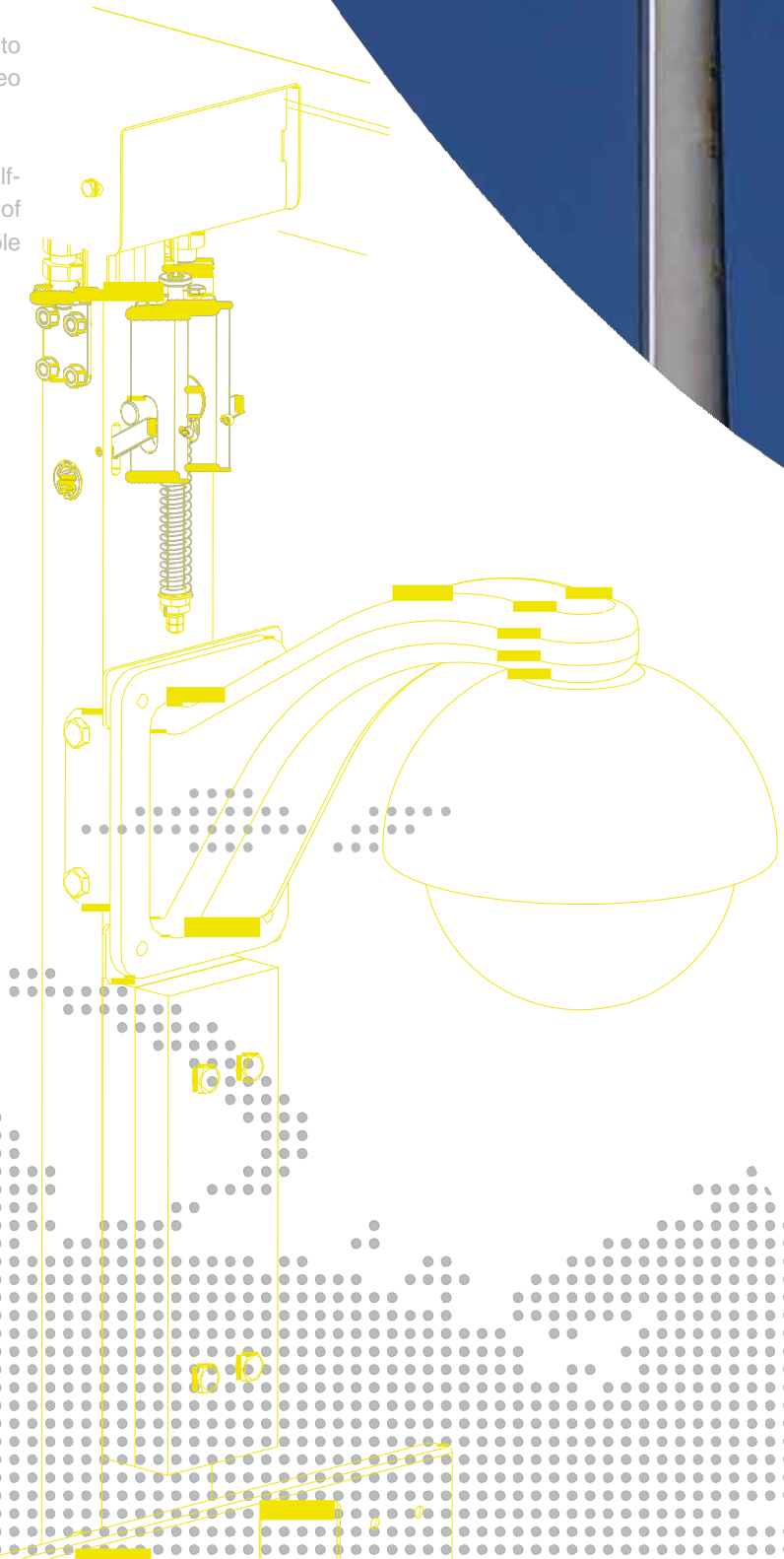
DESCRIPTION

Customised supports are engineered and manufactured according to the customer's requirements and the type of equipment of video supervision.

Brake parachutes patented, in double stainless steel jaws with self-blocking system is ignited thanks to two springs in case of failure of the cable or the winch and it is actuated thanks to a removable electrical moto reducer.

CHARACTÉRISTICS

SYSTEM	RT72v
Load (kg)	150
Max. mast height (m)	30
Rail width (mm)	72



ADVANTAGES

SIMPLICITY

- Operational simplified, no external manpower, neither electrician required
- Lowerable any time even by strong wind
- Manpower reduced and no specific qualification required
- No use of lifting or elevators

SECURITY

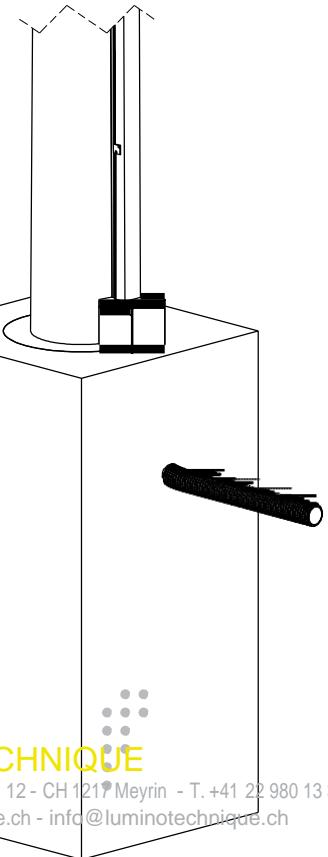
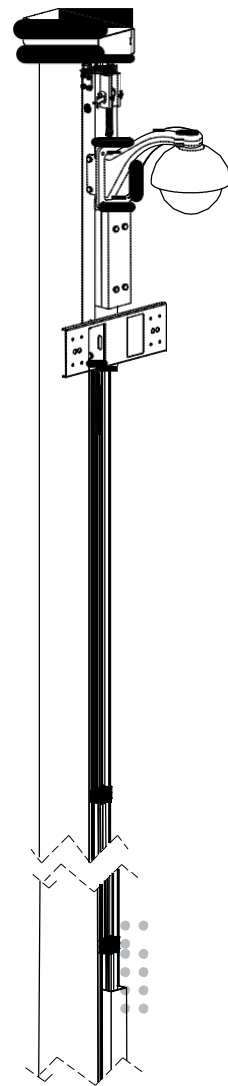
- Without requirement of trained and qualified personnel for the works in height
- Purchase and maintenance of equipment for individual protection for works in height (law on the accident prevention and BPA, LAA).
- Breaking parachute system patented in case traction cable fails.

STABILITY

- Perfect stability and therefore quality of image...
- On any type of pole, walls, bridges,

NICE DESIGN

- Discreet and aesthetic Integration
- Without scales and without working platform



LUMINOTECHNIQUE

Chemin de la Bergère 12 - CH 1217 Meyrin - T. +41 22 980 13 30
 www.luminotechnique.ch - info@luminotechnique.ch